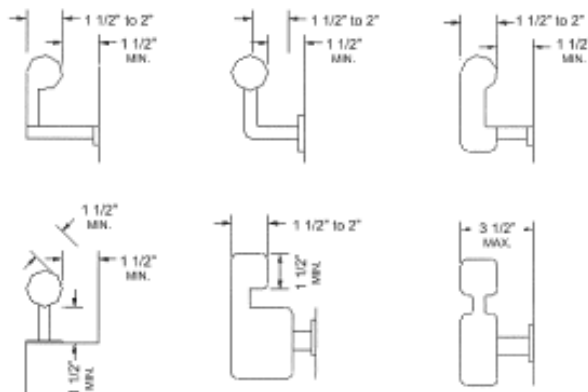


Decks

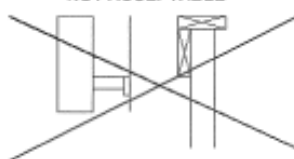
- ❑ Building permit required when deck is more than 30 inches above grade
- ❑ Building permit required regardless of height from grade when deck includes a roof
- ❑ Decks shall be designed and constructed to carry 60 lbs per sq ft live load
- ❑ Footings for decks shall be 42 inches below grade
- ❑ Footings for decks with a roof shall be to frost line (42 inches)
- ❑ Frost footings required for all decks that will support a roof that is attached to the residence
- ❑ Rise for steps shall be a maximum of 7 ¾ inches for residential & 7 inches for commercial
- ❑ Run for steps shall be a maximum of 10 inches for residential & 11 inches for commercial
- ❑ Handrail is required when there is four(4) or more risers.
- ❑ Handrail height shall be 34 to 38 inches
- ❑ Maximum opening through any part of the guardrail is 4 inches
- ❑ Guardrail in front of decks required when deck is more than 30 inches from adjacent grade
- ❑ Minimum guardrail height is 36" for residential and 42" for commercial
- ❑ Guardrail required on decks, landings, porches & stairways over 30" in height above finished grade
- ❑ Basic construction plans requested with site plan, elevation drawings, stairways, guardrails and handrails.
- ❑ Inspections are required by building inspection of Planning and Zoning
- ❑ Decks receiving hot tubs shall be designed by a professional engineer in accordance to the I.B.C.

- ❑ Concrete pyramid blocks are not allowed

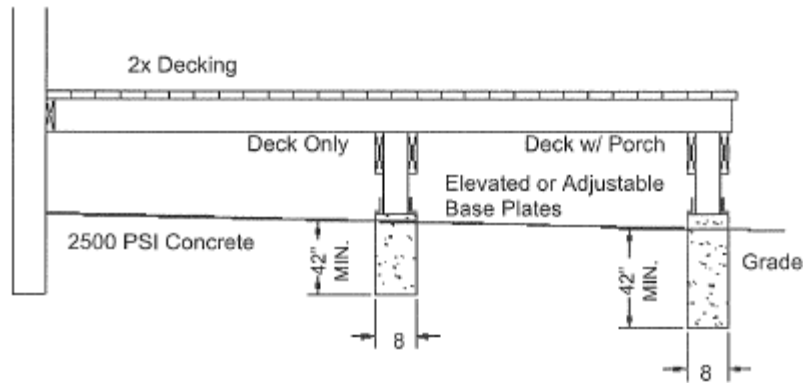
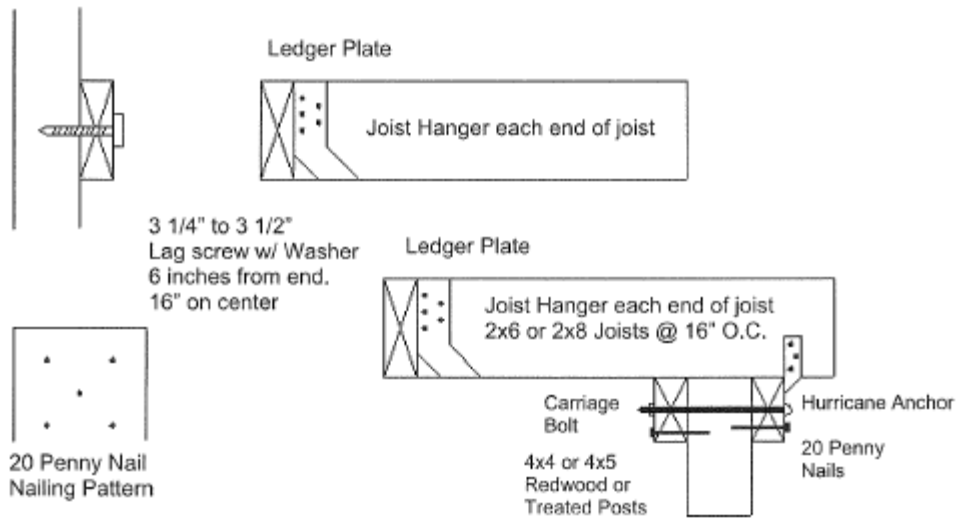
HANDRAILS ACCEPTABLE SHAPES AND INSTALLATIONS



NOT ACCEPTABLE



NOTE:
OTHER SHAPES MAY BE
ACCEPTABLE IF THEY
PROVIDE AN EQUIVALENT
GRIPPING SERVICE.
SEE THIRD PARAGRAPH
OF SECTION 3306 (1).



SUGGESTED JOIST SPANS

JOIST SIZE	JOIST SPACING	JOIST SPAN
2x6	16 inches on center	7 feet 3 inches
	24 inches on center	6 feet 0 inches
2x8	16 inches on center	10 feet 9 inches
	24 inches on center	8 feet 9 inches
2x10	16 inches on center	13 feet 6 inches
	24 inches on center	11 feet 0 inches

Extra weight on the deck surface, such as larger planter, hot tubs or spas, will require additional support.

